

OC-2400

Ophthalmic Chair



Signature
Series

KEY FEATURES:

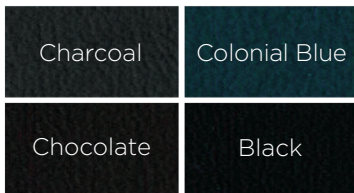
- » Motorized tilt
- » Hydraulic lift 9" (22.9cm) stroke
- » User programmable memory two position control
- » Illuminated membrane switch control on both chair sides
- » Solid cast aluminum frame, armrest, footrest, and base
- » Single button folding armrest
- » Securely locking hand brake with handle on both chair sides
- » Ergonomically contoured cushions with anti-viral fabric
- » Self-Lubricating hinges and bushings
- » Foot pedal control

Technical Specifications

Elevation Stroke	Low: 9" (22.9cm) / High: 12.5" (31.8cm)
Voltage & Frequency	115V; 5A; 60Hz 220V; 3A; 50/60Hz
Rotation Angle	355°
Chair Capacity	500lb (226.8kg)
Shipping Weight	286lb (129.7kg)
ETL Listed	Complies with UL and CSA

Upholstery Selections

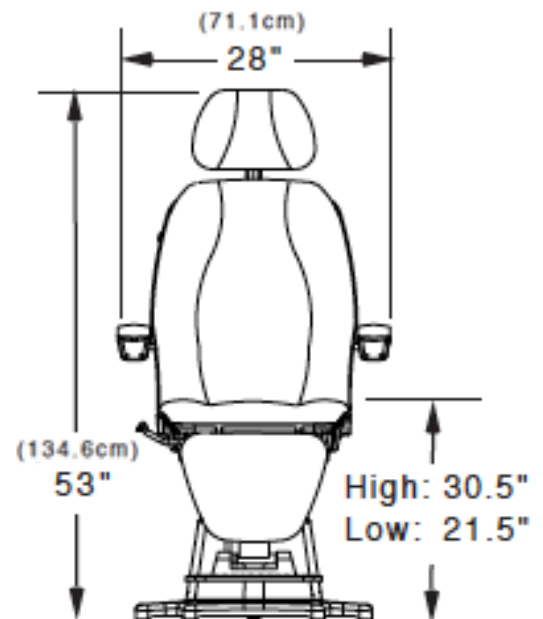
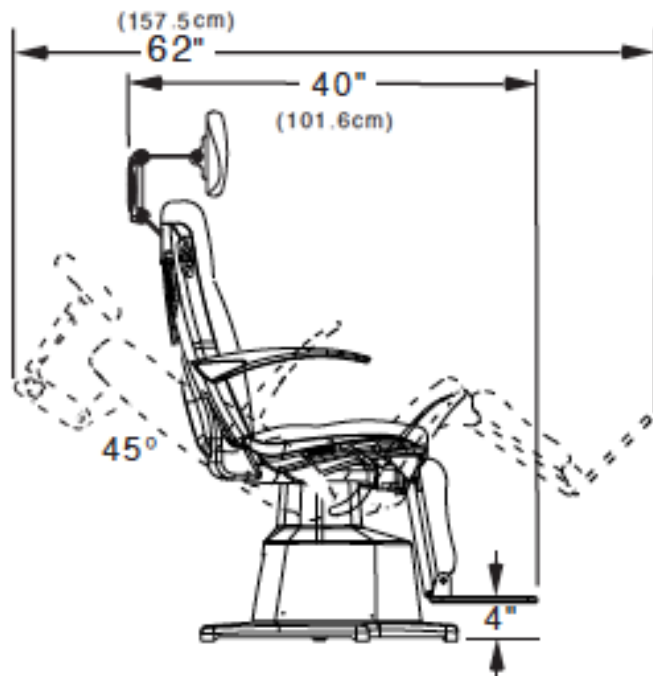
Standard Colors



Designer Series Colors



Signature
Series



Topcon Medical Systems, Inc.
111 Bauer Drive, Oakland, NJ 07436, U.S.A.
t 800.223.1130 f 201.599.5248 • www.topconmedical.com
©2014 Topcon Medical Systems, Inc. MCA# 714